

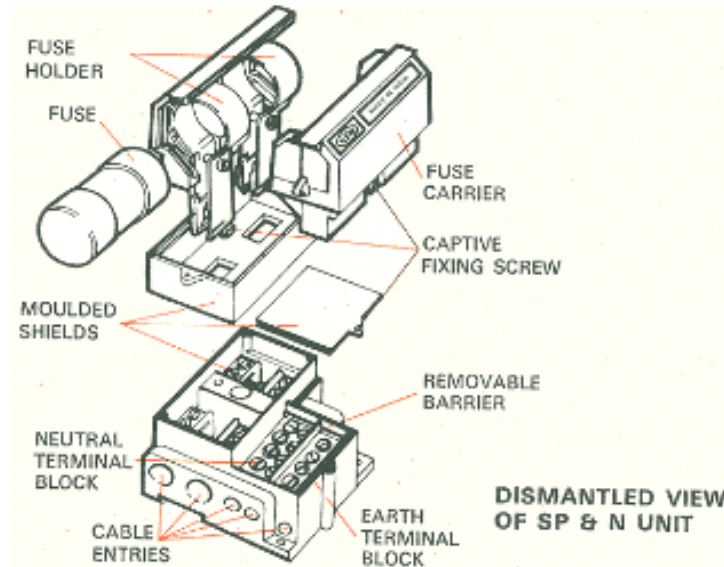
INSULATED HOUSE SERVICE CUTOUTS AND FUSELINKS



DESIGN FEATURES

- 1) Totally insulated body of Phenolic moulding non-hygroscopic giving improved mechanical strength.
- 2) Easy fuse replacement - fuse link self locating in fuse clip.
- 3) Provision is made to seal the unit against unauthorized access.
- 4) Clip spring in the fuse clip ensures high pressure contact, wiping action ensures low resistance with tin plated base contact.
- 5) All phase terminals are shrouded by fixed shield which is part of moulding.
- 6) The phase terminals can accommodate two outgoing and two incoming cables rangings from 6 mm² to 35 mm².
- 7) It can accommodate fuses as per B.S. 1361 - 1971. In a comprehensive range of ratings from 15 Amps to 80 Amps.

SINGLE PHASE, SINGLE PHASE & NEUTRAL UNIT



1. Available in 3 models SP, SP & N, SP & N (PME) models in 60A / 80A - 100A.
2. Like Phase terminal Neutral terminal is designed for aluminium as well as Copper conductor.
3. Earth terminal will accept cable via top and / or bottom entry.
4. For PME facility a separate model is available with combined neutral & earth terminal block which has similar facility available in separate neutral & earth system.
5. Maximum Cable Sizes -
 - Phase 35mm^2
 - Neutral 35mm^2
 - Earth 25mm^2

