

Front operated Switch-Fuse and Switch/Isolator

MECHANISM

Quick make & break mechanism independent of manual speed to minimise wear & tear of contact & arcing.

All units are fully mechanically interlocked to prevent accidental contact of live parts.

A neat operating lever which clearly indicates 'ON' & 'OFF' position.

CONTACTS

All moving contacts are prepared from electrolytic copper & fix contacts from casted brass protected by means of removable covers so that no live parts are exposed.

ENCLOSURE

All Enclosure are fabricated from sheet steel which is treated with rust prevention layer of zinc phosphate & finished with powder coating of dark grey colour.

Enclosure are provided with gasketed covers. Three conduit knockouts are provided at top & bottom.



FUSES

KEW Switchfuse has facility of interchangeability between HRC or Rewirable fuse carrier as required & can be easily done at site. Fusebase & carrier are made up of finest quality vitreous ceramic

SPECIFICATION

Tested for utilisation category AC23 as per IS 4064 & BS 5419.

EASE OF INSTALLATION & MAINTENANCE

- 1) The door can be easily lifted off its hinge to facilitate wiring & maintenance.
- 2) Ample wiring space for aluminium conductor.
- 3) Removable insulated switch bar to facilitate speed of wiring.

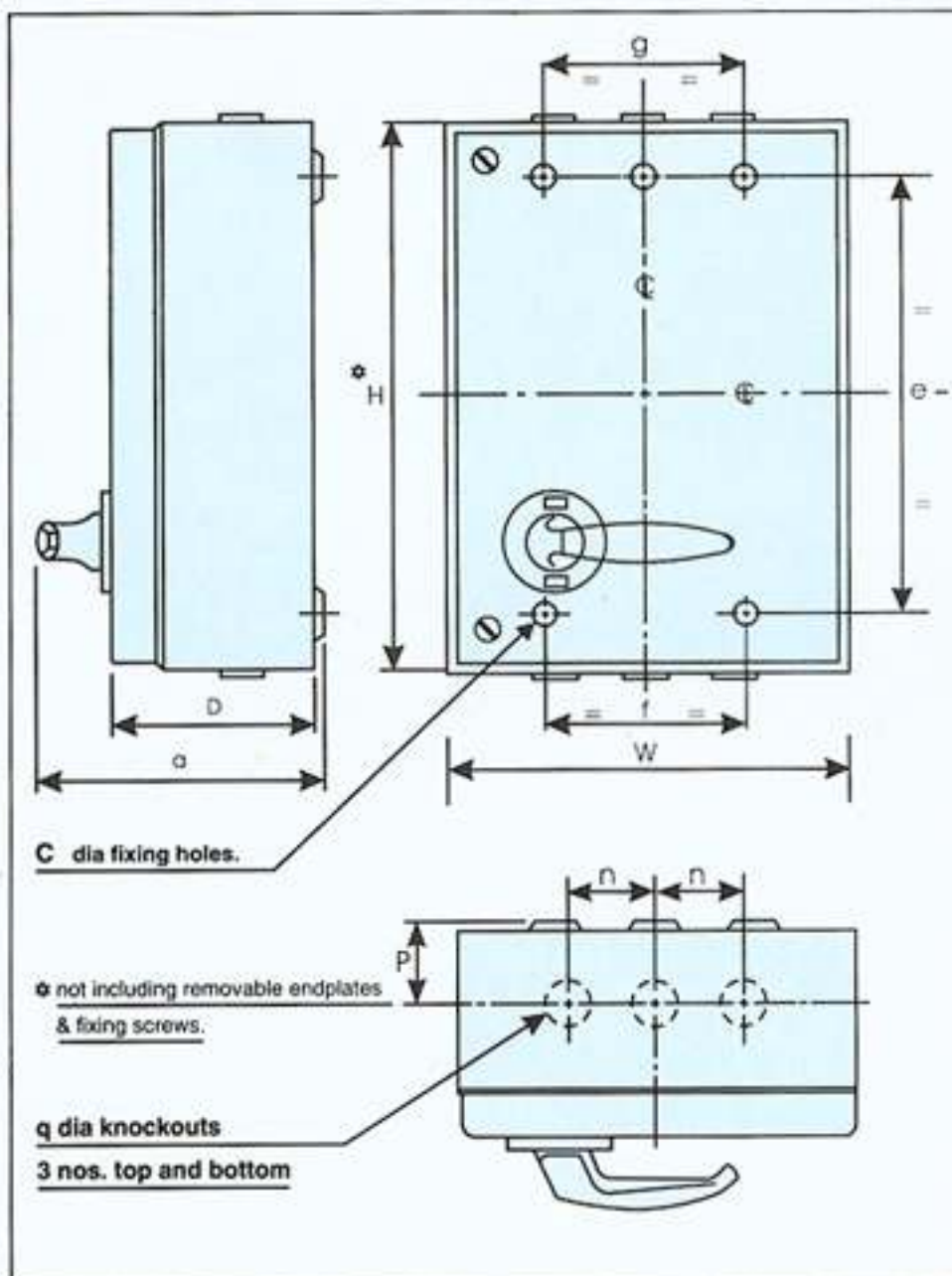


Switchgear & Fusegear

TYPE**KFH
AXFH**

RATING (415V a.c)		415V MOTOR RATING		LIST NO.			TERMINAL CAPACITY mm ²
AMP	POLES	KW	HP	ISOLATOR/ SWITCHES	SWITCH-FUSE REW	SWITCH-FUSE HRC	
16/20A	TPN	5.5	7.5	1315AXFH	315KFH	315KFHC	6
32A	TPN	11	15	1330AXFH	330KFH	330KFHC	10
63A	TPN	22	36	1360AXFH	360KFH	360KFHC	35
100A	TPN	30	40	3100AXFH	3100 KFH	3100KFHC	70

DIMENSIONS (mm)	315 KFH	330 KFH	360 KFH	3100 KFH
H	213	254	332	450
W	173	211	268	332
D	87	95	123	140
a	123	135	170	195
e	163	204	272	390
f	109	131	188	272
g	ON t	ON t	ON t	272
c	6	6	6	6
n	43	52	73	78
p	36	38.5	55	63
q	19	25.4	38	50.8
NO. OF KNOCKOUTS	TOP	3	3	3
	BOT.	3	3	3
NO. OF MOUNTING HOLES		3	3	4
NET WEIGHT (kg.) (approx.)		3.000	4.400	9.600



Note: Overall Dimension of Type KFH & KFHC are identical

DIMENSIONS (mm)	1315 AXFH	1330 AXFH	1360 AXFH	3100 AXFH
H	161	165	236	284
W	173	211	268	332
D	84	90	117	137
a	120	133	163	195
e	111	115	176	224
f	109	131	188	272
c	6	6	6	6
n	43	52	73	78
p	36	38.5	55	63
q	19	25.4	38	50.8
NO. OF KNOCKOUTS	TOP	3	3	3
	BOT.	1	1	3
NO. OF MOUNTING HOLES		3	3	3
NET WEIGHT (kg.) (approx.)		1.900	2.400	5.500

KUSUM ENGINEERING WORKS

Paras Compound, S. V. Road, Goregaon (West) Mumbai 400 104.
Phone : 28722006 / 28721589 Fax No. 91-22-8730291.
E-mail: kusumeng@vsnl.com Website : www.kewelectricals.com

Since product improvement is a continuing KEW policy, specifications of any product are subject to change without prior notice.



Available at :