

**KEW**

# Superfuse

High quality HRC fuse

## INDUSTRIAL AND GENERAL PURPOSE HRC FUSE LINK

*Superfuse* high rupturing capacity fuse links type KD are continental design with Blade type contacts. They are the latest prestigious addition to our *Superfuse* range.

Type KD HRC fuselinks offer protection to Cables, Switchgear, Controlgears and other apparatus from electromagnetic & thermal stresses which arise under Short-Circuit conditions. By using appropriate KD type fuselinks high short circuit currents cannot rise to the full peak value owing to the **very short clearing time**. Unfavourable effects of the short circuit on the Switchgear are thus prevented.

The fuselinks are provided with spring actuated red indicating pin which gives **positive indication of the blowing of fuselinks**.

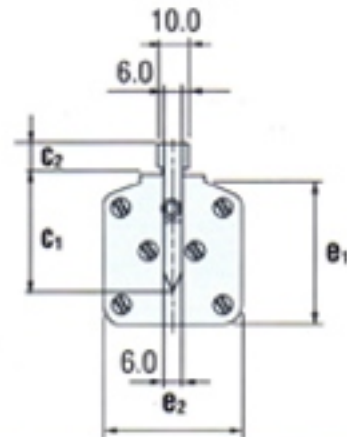
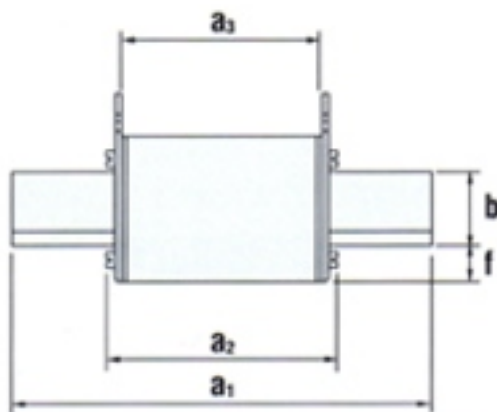


### SALIENT FEATURES:

- Range offered **6A to 630 A** in 4 body sizes with **breaking capacity of > 80 KA at 415 Volts**.
- KD Range complies to performance & dimensional requirement of IS-13703 : 1993 & IEC 269-1 : 1986.
- KD range of fuses are supplied with fusing factor 1.5 & non fusing factor 1.2.
- **Very low Power loss** in KD range of fuses **ensures cool running**.
- KD range provides consistency in performance as per predetermined I<sup>2</sup>t & cut off current.
- Extremely low let through I<sup>2</sup>t & cut off current during short Circuits.
- Reliable visual indication of fuse operation.

**KEW**

Switchgear & Fusegear

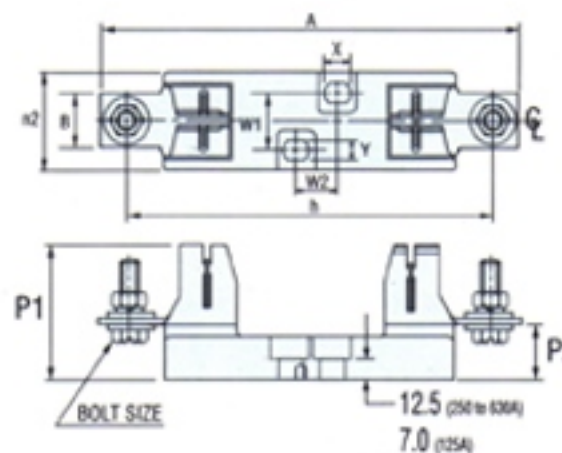
**TYPE****KD  
KDFH**

Current Rating (in AMPS)	List Reference	IS:13703 Reference	Dimensions (mm)								
			a <sub>1</sub>	a <sub>2</sub>	a <sub>3</sub>	b	c <sub>1</sub>	c <sub>2</sub>	e <sub>1</sub>	e <sub>2</sub>	f
6,10,16,20,25,32,50,63,80, 100,125.	<b>KD00</b>	00	79.5	50	45	15	35	9.5	42.5	30	14
32,50,63,80, 100, 125, 160, 200, 250.	<b>KD1</b>	1	135	70	61	24.5	40	10	47	46	11
200, 250, 315, 355, 400.	<b>KD2</b>	2	151	72	63	30	48	10	61	58.5	13
425, 500, 630.	<b>KD3</b>	3	152	72	63	40	61	10	73	73	14

## FUSE BASES

- Fuse bases are available in four sizes, corresponding to the four size of fuse links.
- Insulated DMC fuse bases for high impact strength & anti tracking properties.
- The design of the silver plated fuse link blades & lyre contacts for better conductivity & low temperature rise.
- "Special Spring Steel" springs for better grip & uniform contact pressure.
- The lyre shaped contacts & connection terminals from one punched piece.

LIST Nos.	RATING AMPS	A	B	h	n2	P1	P2	W1	W2	X	Y	BOLT SIZE	ASSOCIATED KEW FUSE LINK CODE
KDFH 125	<b>125</b>	122	19.5	101	32	58	20	∅	25	∅7	∅7	M6x15	KD00 (6 to 125 A)
KDFH 250	<b>250</b>	230	30	200	53	74	32	30	25	∅14	11	M10x36	KD1 (32 to 250 A)
KDFH 400	<b>400</b>	230	35	202	53	90	32	30	25	∅14	11	M10x36	KD2 (200 to 400 A)
KDFH 630	<b>630</b>	258	40	221	53	100	32	30	25	∅14	11	M10x36	KD3 (425 to 630 A)

**KEW***Switch to Perfection*

Available from:

**KEW FUSEGEAR PVT LTD.**Modi Kunj, 10 Friends Society,  
J.V.P.D.Scheme, Mumbai 400 056.

☎ : 8722006 / 8721589

☎ : 91-22-8730291

Since product improvement is a continuing KEW policy & specifications of any product are subject to change without prior notice.