

**KEW**

# Superfuse

## High quality HRC fuse links

Industrial Commercial Domestic

### RANGE :

- Fuselink with OFFSET & CENTRAL TAG (bolted type) available from 2 Amp to 630 Amp.
- Fuse Links with OFFSET TAG (Blade type) available from 2A to 32A.

### DESIGN :

- High grade quality raw material components used in manufacturing.
- Each fuselink is durable & indelible marked to provide **life-long identification**.
- The design ensures **safe interchangeability** with existing makes which gives purchase flexibility.
- The fuselinks are designed to have **low temperature rise/low Watt loss**.
- **Compact dimension & light in weight**.
- Tin Plated special copper alloy components used in assembly.

### TECHNICAL FEATURES :

- **Low Watt Loss** Fuse Links. Low power loss typically 20% below those specified in Standards ensures **cool running & longer life of equipment**. Due to low watt loss energy efficient fuse. Hence low power consumption.
- **Low cut-off Current**, reduces electromagnetic stress & damage to contacts.

### APPLICATION :

- HRC Fuse Links are built to **offer overload & short circuit protection** of low & medium voltage circuit in industrial installation.



- Offset Tag fuse links of rating upto Amps can 200 be used in HRC type porcelain fuse holders or bakelite fuse fittings & also in Switchfuse and Fuse Switches.
- Higher rating fuse links can be bolted or used individually in fuse switches, Switchfuse, panels etc.
- HRC fuse links are **ideally suitable for back-up protection** to motor Starters, MCCB and other such equipment against short circuit and overloads.

### SPECIFICATION :

- All fuse links are certified for A.C. performance & **comply with the requirements of IS-13703-1993** & have a breaking capacity of 80 KA at 415V A.C fusing factor : 1.6, Non-fusing, factor 1.2.

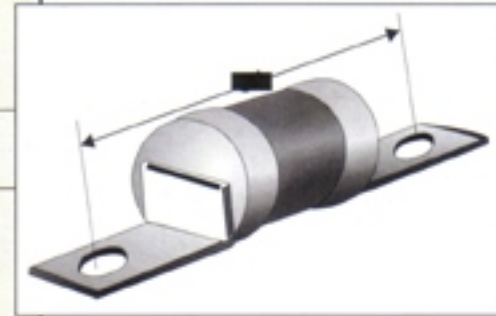
**KEW***Switchgear & Fusegear*

**LIST NOS. & DIMENSIONS**

KEW List Nos.	Current Rating (Amp)	IS13703 & BS 88 Reference	Main Dimensions (mm)		
			Fixing Centres (Nominal)	Overall Length Max	Diameter Max

**OFFSET TAG FUSE LINKS**

		G <sub>1</sub>			
6 KIA	6	A <sub>2</sub>	73	86	24
10 KIA	10				
16 KIA	16				
20 KIA	20				
25 KIA	25				
32 KIA	32	A <sub>3</sub>	73	91	27
32 KIS	32				
50 KIS	50				
63 KIS	63	A <sub>4</sub>	94	111	37
32 KCP	32				
40 KCP	40				
50 KCP	50				
63 KCP	63				
80 KCP	80	(as A <sub>4</sub> )	94	111	37
100 KCP	100				
125 KFP	125				
160 KFP	160				
200 KFP	200				



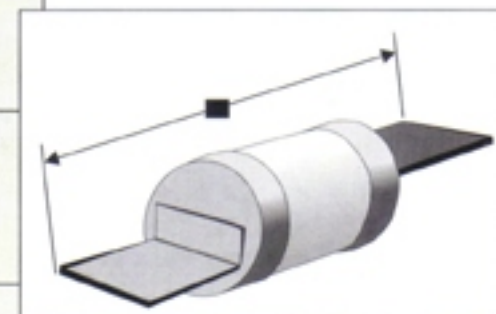
**CENTRAL TAG FUSE LINKS**

		G <sub>1</sub>		G <sub>2</sub>			
80 KC	80	B <sub>1</sub>	111	-	138	37	
100 KC	100						
125 KTF	125	B <sub>2</sub>	111	-	138	42	
160 KTF	160						
200 KTF	200						
250 KKF	250	B <sub>3</sub>	111	-	138	61	
315 KKF	315						
355 KTS	355	B <sub>4</sub>	111	-	138	66	
400 KTS	400						
355 KM	355	C <sub>1</sub>	133	184	212	66	
400 KM	400						
450 KTM	450	C <sub>2</sub>	133	184	212	77	
500 KTM	500						
560 KTM	560						
630 KTM	630						



**STAGGERED TAGS FUSE LINKS**

		Overall Length Max.		Dia Max.
		D		
2 KNS	2	F <sub>1</sub>	62	14.5
4 KNS	4			
6 KNS	6			
10 KNS	10			
16 KNS	16			
20 KNS	20			
25 KNS	25			
32 KNS	32	F <sub>2</sub>	69	17.5
10 KES	10			
16 KES	16			
20 KES	20			
25 KES	25			
32 KES	32	E <sub>1</sub>	51	14.5
50 KES	50			
63 KES	63			
2 KSS	2			
4 KSS	4			
6 KSS	6			
10 KSS	10			
16 KSS	16			
20 KSS	20			



Switch to Perfection

**KEW FUSEGEAR PVT LTD.**  
 Modi Kunj, 10 Friends Society  
 5th N.S. Road, J.V.D.Scheme,  
 Vile Parle (West), Mumbai 400 056.  
 ☎ : 8722006 / 8721589  
 📠 : 91-22-8730291

Since product improvement is a continuing KEW policy & specifications of any product are subject to change

Available from: \_\_\_\_\_