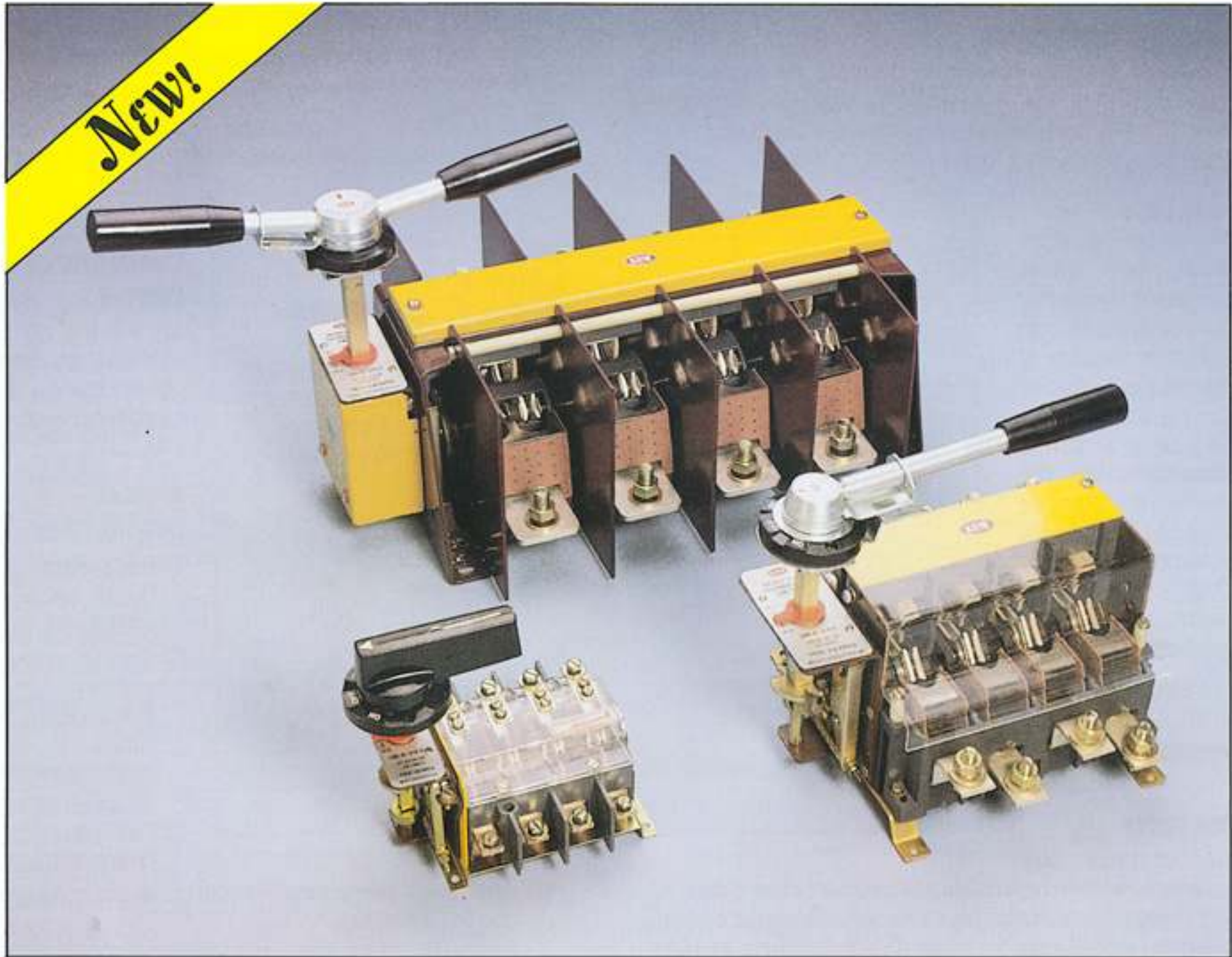


The Cubicle On-Load Changeover Switches



32A... 1250A/415V

- ➔ Reduced Panel Size
- ➔ Reduced Assembly Costs
- ➔ Safety for personnel
- ➔ Versatile Range



Overall Cost Efficiency



Switchgear & Fusegear

KEW Load Change-over switch has lot of special features & incorporates upto date technology with 40 yrs of experience in switch production.

RANGE

Complete range from 63A to 1250 AMPS is available as :

- ➔ Panel mounted open execution type
- OR
- ➔ Enclosed changeover in sheetsteel enclosure

COMPACT DIMENSIONS

The range has been specifically designed for change-over application they require about 50% less space than other arrangements such as two connected ON/OFF switches or contactors. This results in less cost.

SAFETY

This design ensure that load is either connected to mains or is connected to generator. Because of the unique L-shaped moving knife contact on a single shaft it is impossible for the mains & standby supplies to be connected together. This result in maximum safety and reliability.

Live parts are protected with transparent terminal shrouds.

CONTACTS

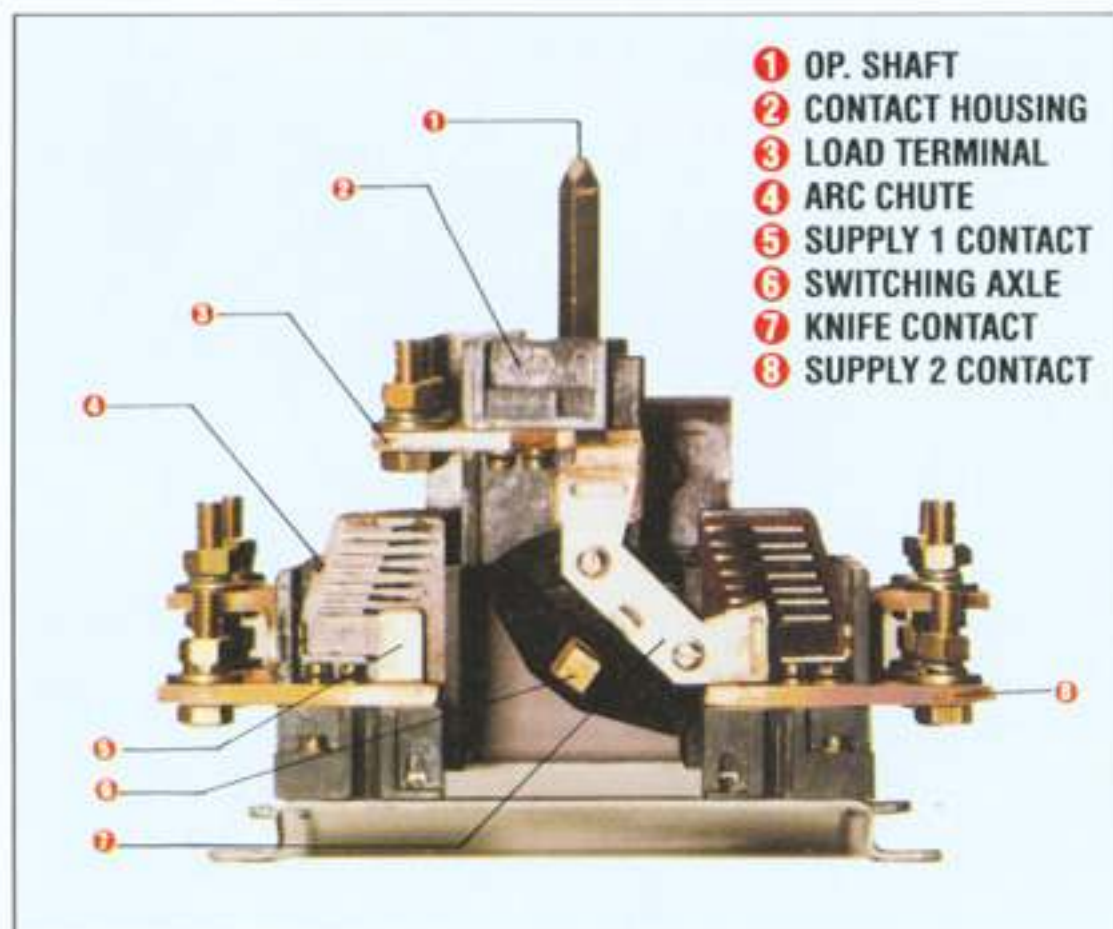
All contacts are manufactured from high conductivity copper, silver plated. All load change -over switches have a double knife contact system, with heavy contact pressure ensure high performance, excellent self cleaning. High short circuit resistance contacts are having double breaking & big isolating distances. This ensures excellent and consistent switching performance.

CONTACT HOUSING

Contact housing are manufactured from track resistant glass reinforced polyester material. Housing construction is designed to stand the heat & humidity of the tropics, as well as the polluted environment of any process industry.

EASE OF CONNECTION & MOUNTING

- ➔ Load change-over switches are supplied ready for cable or busbar connection
- ➔ All switches have 3 sets of front connected in line terminals suitable for 2 separate incoming supplies & 1 common load.
- ➔ All switches have extremely good termination capacity.
- ➔ All enclosures have big cabling space.



Cross Section View

- 1 OP. SHAFT
- 2 CONTACT HOUSING
- 3 LOAD TERMINAL
- 4 ARC CHUTE
- 5 SUPPLY 1 CONTACT
- 6 SWITCHING AXLE
- 7 KNIFE CONTACT
- 8 SUPPLY 2 CONTACT

- ➔ The standard right hand switches can be easily converted to the left hand switches

MAINTENANCE

- ➔ Long life; maintenance is normally restricted to contact inspection
- ➔ Maintenance of the load change over switches requires very little time or effort

VISIBILITY OF CONTACTS

The contact have positive opening operation and they are visible in whole range.

In off position ther is a visible gap between fixed & moving contact circuit isolation is thus apparent. Fixed & Moving contacts can be replaced if necessary.

CHANGE OF ARC CHUTES

Arc chutes can be changed very easily by loosening the captive screws on the side

SPECIAL CHARACTERISTIC

- ➔ Quick-make, Quick- break mechanism.
- ➔ Reliable contact position indication on handle mechanism ON-OFF-ON
- ➔ Padlocking Arrangement.

- ➔ Mechanical interlocking between the operating handle and the enclosuer

APPLICATION

KEW Load change-over switches are used to connect a supply to two different loads OR to transfer electrical & loads from a normal power supply to an emergency power supply e.g. a generator. They are used where ever continuity of supply is necessary.

- ➔ Airports
- ➔ Railways
- ➔ Hospitals
- ➔ Telecommunication
- ➔ Public Buildings
- ➔ Computer Installation
- ➔ Military Establishment
- ➔ Supermarkets etc.

TYPE**KPCO
KPCOE**

Technical Specification And Data

Voltage : 415V / 440V 3 Phase & Neutral

Current Rating : 63A to 1250 Amps

Switching Duty : AC-22 / AC-23 as per IS:13947

Frequency : 50-60 Hz

No. of Poles : 4 pole

LIST NOS. With Enclosure	⇒	63KPCOE	100KPCOE	200KPCOE	320KPCOE	400KPCOE	630KPCOE	800KPCOE	1000KPCOE	1250KPCOE
Open Execution	⇒	63KPCO	100KPCO	200KPCO	320KPCO	400KPCO	630KPCO	800KPCO	1000KPCO	1250KPCO
CURRENT RATING		63A	100A	200A	320A	400A	630A	800A	1000A	1250A
Rated thermal current at 45°C (AMP)	Open	80	100	200	320	400	630	800	1000	1250
	Enclosed	80	100	200	320	400	600	765	950	1100
Rated insulation voltage	V	660	660	660	660	660	660	660	660	660
Test insulation voltage	KV	2.5	2.5	3.5	3.5	3.5	3.5	3.5	3.5	3.5
Operational Current AC 21-415V	A	80	100	200	320	400	630	800	1000	1250
Operational Current AC 22-415V	A	80	100	200	320	400	630	800	1000	1250
Operational Current AC 23-415V	A	63	100	200	320	400	630	630	800	800
Operational Power AC 21 - 415V	KW	10	15	45	70	90	160	200	220	250
	HP	13	20	60	94	120	214	268	295	335
Short time withstand current. 1-Sec.	KA	8	8	15	18	20	25	30	30	30
Rated fused short circuit current RMS max. HRC - Fuse	KA	50	50	50	50	50	50	50	50	50
Mechanical endurance	Oper.	8500	8500	7000	4000	4000	4000	2500	2500	2500
Electrical endurance at 415V - AC 23	Oper.	1500	1500	1000	1000	1000	1000	500	500	500
CONNECTIONS :										
Terminal Width	(mm)	15	15	25	25	25	50	50	50	50
Screw/Bolt	SIZE	M4X15	M6X20	M8X25	M10X30	M10X30	M12X35	M12X40	M12X40	M12X40
Weight of free standing switch										
Open execution	KG.	2.2	2.5	8.6	9.6	9.7	22.8	23.8	24.5	24.8
With enclosure	KG.	5.2	5.5	14.7	15.7	15.8	36.5	37.5	38.2	38.5
Generator Rating (For Reference only)	KVA	37.5	60	112.5	180	225	315	400	560	750



Frame Size 1
Range 63A & 100A

Frame Size 2
Range 200A to 400A



Frame Size 3
630A to 1250A

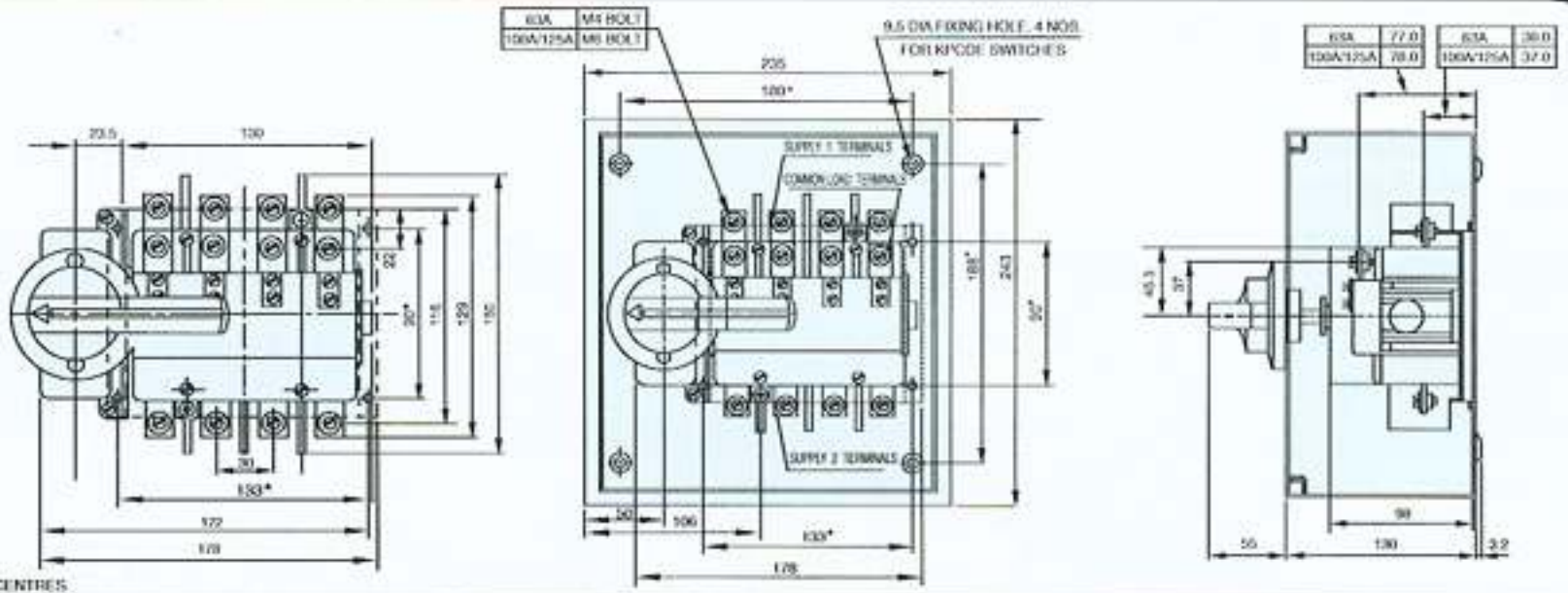


TYPE

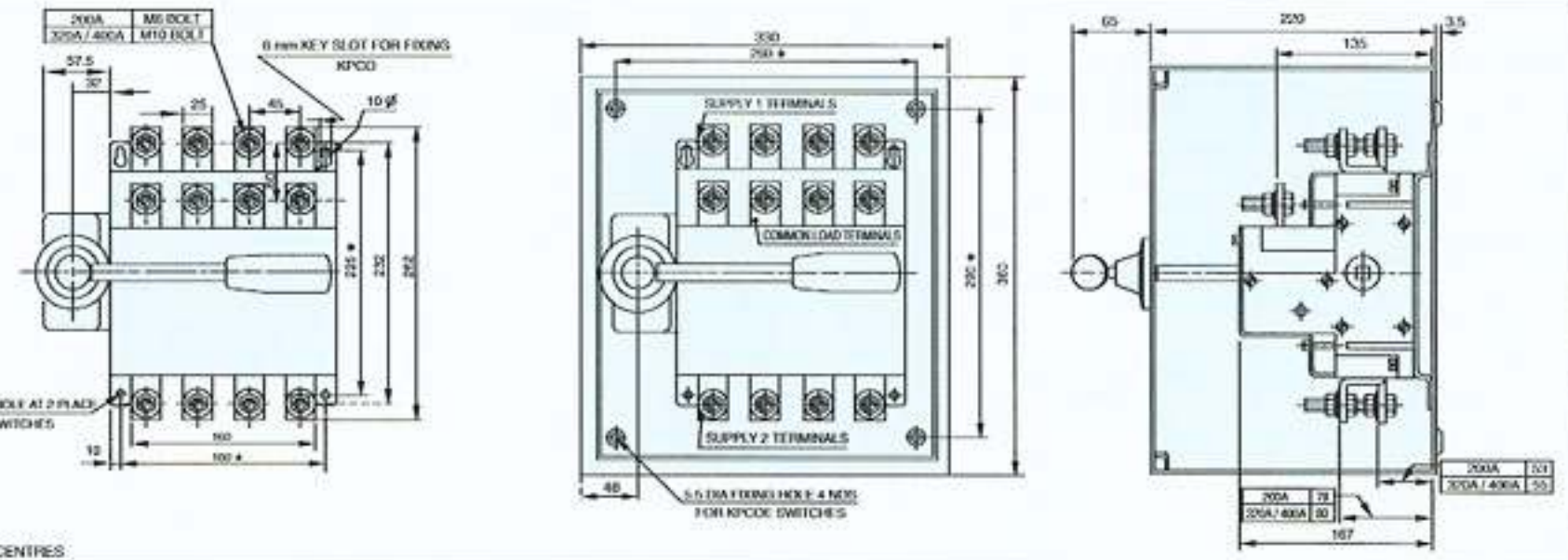
**KPCO
KPCOE**

OVERALL DIMENSIONS (mm)

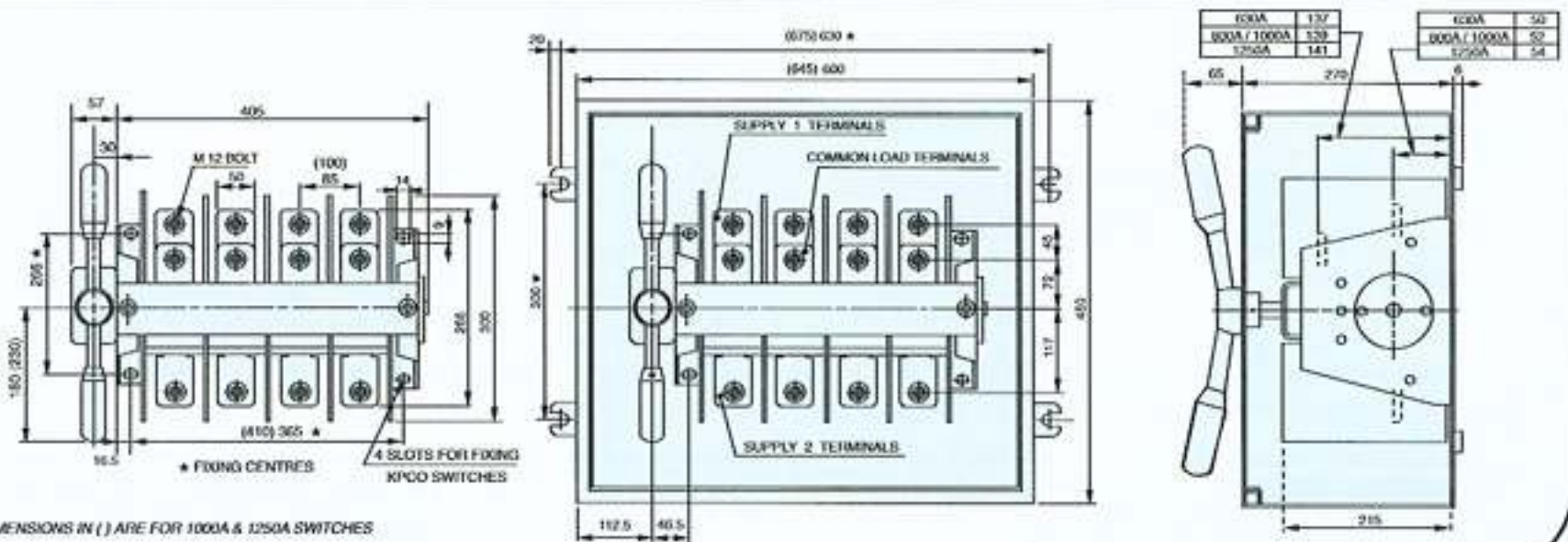
63A & 100A



200A TO 400A



630A TO 1250A



KEW



KUSUM ENGINEERING WORKS

Paras Compound, S. V. Road, Goregaon (West) Mumbai 400 104.
Phone : 28722006 / 28721589 Fax No. 91-22-8730291.
E-mail: kusumeng@vsnl.com Website : www.kewelectricals.com

Since product improvement is a continuing KEW policy, specifications of any product are subject to change without prior notice.

Available at :